

SCANWORKS® REMOTE INSTRUMENTATION CONTROLLER

RIC-1000 PRODUCT OVERVIEW

The Remote Instrumentation Controller (RIC) provides an extremely flexible interface for communication between your ScanWorks® platform and your unit under test (UUT). It supports autosensing Ethernet and connects directly to your UUT. The RIC-1000 controller will be setup with an IP-address of your choice to make it available on your network. With the proper network connections and permissions, you can sit at your desk and control operations on a UUT anywhere in the world.



FEATURES

The RIC-1000 comes with one TAP, eight software controllable bi-dir DIO signals, programmable TCK up to 50 MHz, and UUT logic levels from 1.2V to 3.3V. It supports 10/100/1000 CAT5E/6 Ethernet.

The RIC-1000 Kit includes:

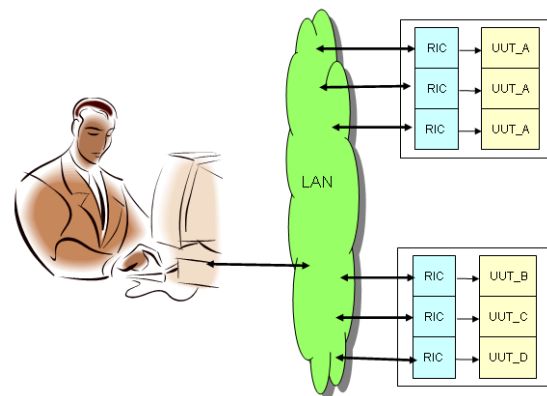
- The controller module
- UUT cable(s) depending on selection options
- CAT5e ethernet cable (2 meters)
- Power supply, AC-DC 5V 4A
- Rugged enclosure for commercial environment standards

PARALLEL TEST AND PROGRAMMING

The RIC technology, together with ScanWorks Dispatcher, enables up to 128 UUTs to be tested and programmed independently and individually. At test completion, each UUT result is diagnosed individually.

RIC-1000 OPTIONS

Personality pods and cables are available to make the RICs compatible with Intel® and other processor families.



SCANWORKS PLATFORM FOR EMBEDDED INSTRUMENTS

ScanWorks Platform for Embedded Instruments is a seamless software environment to access, run and collect data from any instrument in your chips, circuit boards or systems. The ScanWorks Platform includes products for Boundary-Scan Test (BST), Processor-Controlled Test (PCT), High-Speed I/O (HSIO) Validation, FPGA-Controlled Test (FCT) and IJTAG test.

ASSET CONTACTS:

Please contact your ScanWorks sales representative for more information.

*ASSET InterTech, Inc.
2201 N. Central Expy., Ste 105
Richardson, TX 75080
+1 888 694-6250 or +1 972 437-2800
<http://www.asset-intertech.com>*

Key Features

*Remote test management
Multiply production throughput
Simultaneous parallel test and
programming of different UUTs
Fast device programming
Remote diagnostics
Rack testing
High mix production
High volume production*